



<http://www.ebiz-tcf.eu>

DRAFT

IMPLEMENTATION GUIDE

TRANSACTION "GARMENT STOCK OFFER STATUS"

Version: draft

Date of release: 17/5/2019

Document code: G063

technical Documentation: <http://www.ebiz.enea.it>

XML Schemas repository: <http://www.ebiz.enea.it/moda-ml/repository/schema/draft/default.asp>

Guides repository: <http://www.ebiz.enea.it/moda-ml/repository/guide/draft/default.asp>

Guide filename: G063-eBIZ-GarmentStockOfferStatus.pdf

0. PREMISE

This document contains a proposal for the updating and extension of eBIZ specifications starting from the eBIZ version released as CEN CWA 16667 in 2013. Under the name of 'Draft version' it is reported the result of an extensive work of analysis and consultation aimed at developing and maintaining eBIZ specifications.

In particular, the content of this proposal is the result of various activities, mainly those carried out within the framework of the **eBIZ 4.0 project** funded by the European Commission, call COS-DESIGN-2015-3-06, topic COS-2015-DESIGN-2.

The technical contents are backwards compatible with the latest official published version.

1. BUSINESS DESCRIPTION

1.1 Scope

The document Garment Stock Offer Status can be used as Response to the Offer, notifying the Client of the loading and of the status of the Offer (. dealing, sold, withdrawn, ..etc..).

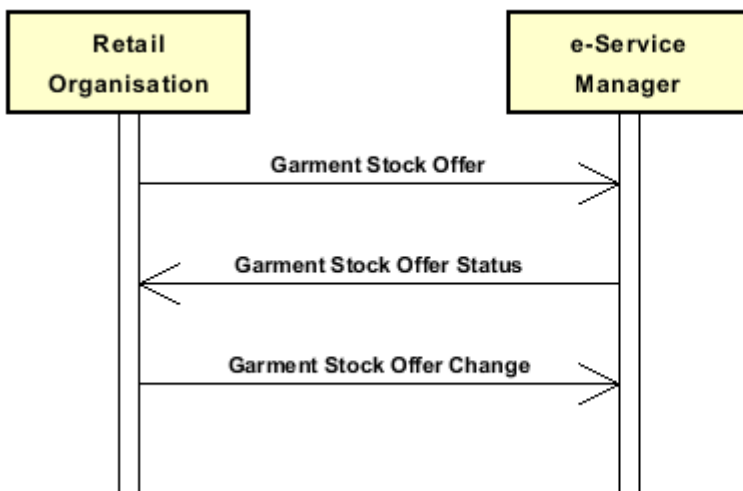
1.2 Generalities

The document is issued by the e-Stockflow Service Provider to respond to an Offer of garment stock or to notify the status of the Offer.

Each document line must refer to one line of a former "Stock Offer", of which is notified either the loading or the following development of the dealing

1.3. Possible scenario

On-line stock offer



2. IMPLEMENTATION GUIDE

2.1 General structure of XML document

All the business data that can be exchanged through this class of documents are shown in the following "document structure", that provides a simplified vision of the Schema.

In particular:

- the two numbers following each element define its "cardinality" (minimum and maximum number of occurrences); the minimum equal zero indicates that the element is optional, the minimum greater than zero indicates that is mandatory;
- the bold character denotes the complex elements (aggregates of simple elements) that were built for the sake of functionality and re-usability of some complex informations sets. The child elements in each parent element are easily spotted as "indented";
- the symbol "@" denotes an attribute of the preceding element; here "the usage indicator (optional, required, ...)" is shown in square brackets.

Structure

GARStockStat

@msgfunction [Optional] [Default= OR]

@version [Optional] [Default= draft]

@useProfile [Optional]

```
| GSOheader 1-1
| | msgN 1-1
| | msgID 0-1
| | msgDate 1-1
| | @dateForm [Optional]
| | refDoc 0-9
| | @docType [Required]
| | | docID 1-2
| | | @numberingOrg [Optional]
| | | docDate 0-1
| | | @dateForm [Optional]
| | | season 0-1
| | | @numberingOrg [Optional]
| | | @codeList [Optional]
| | | @listName [Optional]
| | | @listVersion [Optional]
| | | itemID 0-1
| | | attachment 0-1
| | | @uid [Optional]
| | | | fileName 0-1
| | | | @numberingOrg [Optional]
| | | | binaryObject 0-1
| | | | @format [Optional]
| | | | @mime [Optional]
| | | | @encoding [Optional]
| | | | @characterSet [Optional]
| | | | externalReference 0-99
| | | | | uri 1-1
| | | | | @isURL [Optional] [Default= true]
| | | | | mimeTypeCode 0-1
| | | | | formatCode 0-1
| | | | | encodingCode 0-1
| | | | | characterSetCode 0-1
| | supplier 1-1
| | @logo [Optional]
| | @sender [Optional]
| | | id 1-1
```

- | | | *@numberingOrg [Optional]*
- | | | additionalIdentifier 0-9
- | | | *@numberingOrg [Optional]*
- | | | *@idQualifier [Optional]*
- | | | legalName 0-1
- | | | dept 0-1
- | | | subDept 0-1
- | | | person 0-1
- | | | *@email [Optional]*
- | | | *@phone [Optional]*
- | | | *@fax [Optional]*
- | | | street 0-1
- | | | city 0-1
- | | | subCountry 0-1
- | | | country 0-1
- | | | postCode 0-1

| | **buyer 0-1**

- | | | *@logo [Optional]*
- | | | *@sender [Optional]*
- | | | id 1-1
- | | | *@numberingOrg [Optional]*
- | | | additionalIdentifier 0-9
- | | | *@numberingOrg [Optional]*
- | | | *@idQualifier [Optional]*
- | | | legalName 0-1
- | | | dept 0-1
- | | | subDept 0-1
- | | | person 0-1
- | | | *@email [Optional]*
- | | | *@phone [Optional]*
- | | | *@fax [Optional]*
- | | | street 0-1
- | | | city 0-1
- | | | subCountry 0-1
- | | | country 0-1
- | | | postCode 0-1

| **GSSbody 1-1**

| | **GSSitem 1-unbounded**

- | | | *@offerStat [Required]*
- | | | *@offerStatReason [Optional]*
- | | | lineN 1-1
- | | | *@VAT [Optional]*
- | | | lineID 0-1
- | | | eStockN 1-1
- | | | *@numberingOrg [Optional]*
- | | | **refDoc 0-1**
- | | | *@docType [Required]*
- | | | | docID 1-2
- | | | | *@numberingOrg [Optional]*
- | | | | docDate 0-1
- | | | | *@dateForm [Optional]*
- | | | | season 0-1
- | | | | *@numberingOrg [Optional]*
- | | | | *@codeList [Optional]*
- | | | | *@listName [Optional]*
- | | | | *@listVersion [Optional]*
- | | | | itemID 0-1
- | | | | **attachment 0-1**
- | | | | | *@uid [Optional]*
- | | | | | fileName 0-1

| @numberingOrg [Optional]
 | binaryObject 0-1
 | @format [Optional]
 | @mime [Optional]
 | @encoding [Optional]
 | @characterSet [Optional]
 | **externalReference 0-99**
 | | uri 1-1
 | | @isURL [Optional] [Default= true]
 | | mimeTypeCode 0-1
 | | formatCode 0-1
 | | encodingCode 0-1
 | | characterSetCode 0-1
garmentCategory 0-1
 @numberingOrg [Optional]
 | artGroup 0-1
 | | @numberingOrg [Optional]
 | | @codeList [Optional]
 | | @listName [Optional]
 | | @listVersion [Optional]
 | artSubGroup 0-1
 | | @numberingOrg [Optional]
 | | @codeList [Optional]
 | | @listName [Optional]
 | | @listVersion [Optional]
 | artSex 0-1
 | | @numberingOrg [Optional]
 | | @codeList [Optional]
 | | @listName [Optional]
 | | @listVersion [Optional]
 | season 0-1
 | | @numberingOrg [Optional]
 | | @codeList [Optional]
 | | @listName [Optional]
 | | @listVersion [Optional]
goodsClassification 0-9
 | macroClass 0-1
 | | @numberingOrg [Optional]
 | | @codeList [Optional]
 | | @listName [Optional]
 | | @listVersion [Optional]
 | class 0-1
 | | @numberingOrg [Optional]
 | | @codeList [Optional]
 | | @listName [Optional]
 | | @listVersion [Optional]
 | subclass 0-1
 | | @numberingOrg [Optional]
 | | @codeList [Optional]
 | | @listName [Optional]
 | | @listVersion [Optional]
 | note 0-99
 | | @numberingOrg [Optional]
 | | @codeList [Optional]
 | | @noteLabel [Optional]
 tradeMark 0-1
 commerceText 0-unbounded
 | @In [Optional]
garmentCode 0-1
 | @numberingOrg [Optional]
 - choose -

```

| | | garmentCodeB 1-1
| | | @numberingOrg [Optional]
| | | | mod 1-1
| | | | | @numberingOrg [Optional]
| | | | | @codeList [Optional]
| | | | | @listName [Optional]
| | | | | @listVersion [Optional]
| | | | fabric 0-1
| | | | | @numberingOrg [Optional]
| | | | | @codeList [Optional]
| | | | | @listName [Optional]
| | | | | @listVersion [Optional]
| | | | color 0-1
| | | | | @numberingOrg [Optional]
| | | | | @codeList [Optional]
| | | | | @listName [Optional]
| | | | | @listVersion [Optional]
| | | | garmentVariant 0-9
| | | | | variantType 1-1
| | | | | | @numberingOrg [Optional]
| | | | | | @codeList [Optional]
| | | | | | @listName [Optional]
| | | | | | @listVersion [Optional]
| | | | | variantCode 1-1
| | | | | | @numberingOrg [Optional]
| | | | | | @codeList [Optional]
| | | | | | @listName [Optional]
| | | | | | @listVersion [Optional]
| | | | | drop 0-1
| | | | | | @codeList [Optional]
| | | | | size 0-1
| | | | | | @codeList [Optional]
| | | | | artGroup 0-1
| | | | | | @numberingOrg [Optional]
| | | | | | @codeList [Optional]
| | | | | | @listName [Optional]
| | | | | | @listVersion [Optional]
| | | | | added 0-9
| | | | | | @numberingOrg [Optional]
| | | | | | @addType [Optional]
| | | | | description 0-unbounded
| | | | | | @ln [Optional]
| | | - or -
| | | | garmentCodeA 1-1
| | | | | art 1-1
| | | | | | @numberingOrg [Optional]
| | | | | | @codeList [Optional]
| | | | | | @listName [Optional]
| | | | | | @listVersion [Optional]
| | | | | description 0-unbounded
| | | | | | @ln [Optional]
| | | - end choose -
| | | | qty 0-1
| | | | | @um [Required]
| | | | | readyToSendDate 0-1
| | | | | | @dateForm [Optional]
| | | | | price 0-1
| | | | | | @um [Optional]
| | | | | | @priceQualifier [Optional] [Default= NET]
| | | | | | @currency [Optional]
| | | | csRange 0-99

```

| @numberingOrg [Optional]
 | @sizeSystemNat [Optional]
 | @sizeSystemSeg [Optional]
 | @sizeSystemBase [Optional]
 | @sizeSystemID [Optional]
 | | color 0-1
 | | | @numberingOrg [Optional]
 | | | @codeList [Optional]
 | | | @listName [Optional]
 | | | @listVersion [Optional]
 | | **garmentVariant 0-9**
 | | | variantType 1-1
 | | | | @numberingOrg [Optional]
 | | | | @codeList [Optional]
 | | | | @listName [Optional]
 | | | | @listVersion [Optional]
 | | | variantCode 1-1
 | | | | @numberingOrg [Optional]
 | | | | @codeList [Optional]
 | | | | @listName [Optional]
 | | | | @listVersion [Optional]
 | drop 0-1
 | | @codeList [Optional]
 | **sizeMatrix 1-1**
 | | **sizeRow 1-99**
 | | | additionalComponentCode 0-9
 | | | | @numberingOrg [Optional]
 | | | | @codeList [Optional]
 | | | | @listName [Optional]
 | | | | @listVersion [Optional]
 | | | drop 0-1
 | | | | @codeList [Optional]
 | | | size 1-1
 | | | | @codeList [Optional]
 | | | qty 0-1
 | | | | @um [Required]
 | | | **itemsList 0-1**
 | | | | qualityLevel 0-1
 | | | | | @numberingOrg [Optional]
 | | | | | @codeList [Optional]
 | | | | | @listName [Optional]
 | | | | | @listVersion [Optional]
 | | | | **itemIdentification 1-unbounded**
 | | | | | serialN 1-9
 | | | | | | @numberingOrg [Optional]
 | | | | | | @idQualifier [Optional]
 | **stockAddress 0-1**
 | | @numberingOrg [Optional]
 | | | city 1-1
 | | | subCountry 1-1
 | | | country 1-1
 | note 0-99
 | | @numberingOrg [Optional]
 | | | @codeList [Optional]
 | | | @noteLabel [Optional]

2.2 Detailed description of document elements

Following tables show all elements (complex and simple) used in this document. Description includes: 1) element's information: xml tag, name, brief description, data type and syntax constraints; 2) information about use of the element in a particular position in the document: xpath and possible associated notes.

2.2.1 Complex elements (Aggregate Business Information Entities)

Complex elements are those elements whose content is composed of other elements (childs).Complex elements are alphabetically ordered.

attachment	an attached document. An attachment can refer to an external document or be included with the document being exchanged (XPath GARStockStat/GSOheader/refDoc/attachment) 0-1 (XPath GARStockStat/GSSbody/GSSitem/refDoc/attachment) 0-1
buyer	details of the Buyer (party that buys the good or service that is object of the current collaborative process) - base type: Nad, (XPath GARStockStat/GSOheader/buyer) 0-1
csRange	range of color-size for a fashion article (XPath GARStockStat/GSSbody/GSSitem/csRange) 0-99
externalReference	details about an external object, such as a document stored at a remote location (XPath GARStockStat/GSOheader/refDoc/attachment/externalReference) 0-99 (XPath GARStockStat/GSSbody/GSSitem/refDoc/attachment/externalReference) 0-99
garmentCategory	classification of a garment article (XPath GARStockStat/GSSbody/GSSitem/garmentCategory) 0-1
garmentCode	codification of the garment product (XPath GARStockStat/GSSbody/GSSitem/garmentCode) 0-1
garmentCodeA	codification of the garment product- type A (XPath GARStockStat/GSSbody/GSSitem/garmentCode/garmentCodeA) 1-1 - note: <i>here the barcode EAN-13 or EAN-8 should be specified</i>
garmentCodeB	codification of the garment product - type B (XPath GARStockStat/GSSbody/GSSitem/garmentCode/garmentCodeB) 1-1
garmentVariant	garment product variant (XPath GARStockStat/GSSbody/GSSitem/csRange/garmentVariant) 0-9 - note: <i>used only if not already specified in the article code</i> (XPath GARStockStat/GSSbody/GSSitem/garmentCode/garmentCodeB/garmentVariant) 0-9
goodsClassification	goods classification of the item. (XPath GARStockStat/GSSbody/GSSitem/garmentCategory/goodsClassification) 0-9
GSOheader	Header of a document for on-line FASHION STOCK management (XPath GARStockStat/GSOheader) 1-1
GSSbody	body of the document GARMENT STOCK OFFER STATUS (XPath GARStockStat/GSSbody) 1-1
GSSitem	line item of the document GARMENT STOCK OFFER STATUS (XPath GARStockStat/GSSbody/GSSitem) 1-unbounded
itemIdentification	serial identification of a product unit

	(XPath GARStockStat/GSSbody/GSSitem/csRange/sizeMatrix/sizeRow/itemsList/itemIdentification) 1-unbounded - note: <i>identification of the single product unit contained in the list</i>
itemsList	list of the single product units (XPath GARStockStat/GSSbody/GSSitem/csRange/sizeMatrix/sizeRow/itemsList) 0-1 - note: <i>the usage in this position is alternative to its usage within the document line element</i>
refDoc	identification of a document and of an item thereof, to which the message makes reference (XPath GARStockStat/GSOheader/refDoc) 0-9 (XPath GARStockStat/GSSbody/GSSitem/refDoc) 0-1
sizeMatrix	size matrix of an apparel product (XPath GARStockStat/GSSbody/GSSitem/csRange/sizeMatrix) 1-1
sizeRow	size matrix row of an apparel product (XPath GARStockStat/GSSbody/GSSitem/csRange/sizeMatrix/sizeRow) 1-99
stockAddress	physical location of a stock (XPath GARStockStat/GSSbody/GSSitem/stockAddress) 0-1
supplier	details of the Supplier (party that supplies the good or service that is object of the current collaborative process) - base type: Nad, (XPath GARStockStat/GSOheader/supplier) 1-1

2.2.2 Simple elements (Basic Business Information Entities)

Simple elements are those elements whose content is characterized by a data type plus a domain of possible values. Simple elements are alphabetically ordered.

added	additional code of the product (complementing the formers) - base type: string, max length: 80, (XPath GARStockStat/GSSbody/GSSitem/garmentCode/garmentCodeB/added) 0-9
additionalComponentCode	an additional code to identify a fashion product or a part of it (it is a way to codify the item, but it is not one of the codes to identify it). It is not a serial identifier. - base type: string, (XPath GARStockStat/GSSbody/GSSitem/csRange/sizeMatrix/sizeRow/additionalComponentCode) 0-9
additionalIdentifier	additional identification code of a Party, for example customs registries or others - base type: string, max length: 15, (XPath GARStockStat/GSOheader/buyer/additionalIdentifier) 0-9 - note: <i>identifiers for example for exports, such as MID (Manufacturer Identification Code), EORI (E.O.R.I. - Economic Operator Registration and Identification)</i> (XPath GARStockStat/GSOheader/supplier/additionalIdentifier) 0-9 - note: <i>identifiers for example for exports, such as MID (Manufacturer Identification Code), EORI (E.O.R.I. - Economic Operator Registration and Identification)</i>
@addType	qualifier of the additional coding of a product - base type: string, cod. table: T44 http://www.ebiz.enea.it/moda-ml/repository/codelist/draft/gc_T44.xml (XPath GARStockStat/GSSbody/GSSitem/garmentCode/garmentCodeB/added/@addType) [Optional]

	- nota: <i>addType</i> allows the clarification of the meaning of the added element content; it is strongly suggested to use it always.
art	article number of the product - base type: string, max length: 80, (XPath GARStockStat/GSSbody/GSSitem/garmentCode/ garmentCodeA/art) 1-1
artGroup	code identifying a class of products - base type: string, max length: 40, (XPath GARStockStat/GSSbody/GSSitem/garmentCode/ garmentCodeB/artGroup) 0-1 (XPath GARStockStat/GSSbody/GSSitem/garmentCategory/artGroup) 0-1
artSex	code identifying the sex for which a fashion product is intended - base type: string, max length: 15, (XPath GARStockStat/GSSbody/GSSitem/garmentCategory/artSex) 0-1
artSubGroup	code identifying a sub-class of products - base type: string, max length: 40, (XPath GARStockStat/GSSbody/GSSitem/garmentCategory/artSubGroup) 0-1
binaryObject	a binary large object containing an attached document - base type: base64Binary, (XPath GARStockStat/GSOheader/refDoc/attachment/binaryObject) 0-1 (XPath GARStockStat/GSSbody/GSSitem/refDoc/attachment/binaryObject) 0-1
@characterSet	the character set of the binary object if the mime type is text - base type: normalizedString, (XPath GARStockStat/GSOheader/refDoc/attachment/ binaryObject/@characterSet) [Optional] (XPath GARStockStat/GSSbody/GSSitem/refDoc/attachment/ binaryObject/@characterSet) [Optional]
characterSetCode	the character set of an external document - base type: normalizedString, (XPath GARStockStat/GSSbody/GSSitem/refDoc/attachment/ externalReference/characterSetCode) 0-1 (XPath GARStockStat/GSOheader/refDoc/attachment/ externalReference/characterSetCode) 0-1
city	name of the city (town, village) - base type: string, max length: 40, (XPath GARStockStat/GSOheader/buyer/city) 0-1 (XPath GARStockStat/GSSbody/GSSitem/stockAddress/city) 1-1 (XPath GARStockStat/GSOheader/supplier/city) 0-1
class	a code indicating the category (macro-class, class or sub-class) of a commodity classification system the article belongs to. - base type: string, (XPath GARStockStat/GSSbody/GSSitem/garmentCategory/ goodsClassification/class) 0-1
@codeList	it specifies the URL where the list of codes used to make an instance of the element can be found - base type: string, max length: 255, (XPath GARStockStat/GSSbody/GSSitem/garmentCategory/note/@codeList) [Optional] - nota: <i>must be used to provide (URL) the list of codes used in "noteLabel"</i> (XPath GARStockStat/GSSbody/GSSitem/garmentCode/ garmentCodeB/fabric/@codeList) [Optional] - nota: <i>this attribute should be ALTERNATIVE to the others</i> (XPath GARStockStat/GSSbody/GSSitem/csRange/sizeMatrix/ sizeRow/additionalComponentCode/@codeList) [Optional] (XPath GARStockStat/GSSbody/GSSitem/garmentCategory/ season/@codeList) [Optional]

	<p>(XPath GARStockStat/GSSbody/GSSitem/garmentCategory/goodsClassification/macroClass/@codeList) [Optional]</p> <p>(XPath GARStockStat/GSSbody/GSSitem/refDoc/season/@codeList) [Optional]</p> <p>(XPath GARStockStat/GSSbody/GSSitem/garmentCode/garmentCodeA/art/@codeList) [Optional]</p> <p>- nota: <i>this attribute should be ALTERNATIVE to the others</i></p> <p>(XPath GARStockStat/GSSbody/GSSitem/garmentCategory/artSubGroup/@codeList) [Optional]</p> <p>- nota: <i>this attribute should be ALTERNATIVE to the others</i></p> <p>(XPath GARStockStat/GSSbody/GSSitem/csRange/garmentVariant/variantType/@codeList) [Optional]</p> <p>- nota: <i>this attribute should be ALTERNATIVE to the others</i></p> <p>(XPath GARStockStat/GSSbody/GSSitem/garmentCategory/artGroup/@codeList) [Optional]</p> <p>- nota: <i>this attribute should be ALTERNATIVE to the others</i></p> <p>(XPath GARStockStat/GSSbody/GSSitem/garmentCategory/goodsClassification/subClass/@codeList) [Optional]</p> <p>(XPath GARStockStat/GSSbody/GSSitem/csRange/color/@codeList) [Optional]</p> <p>- nota: <i>this attribute could be used as alternative to the others</i></p> <p>(XPath GARStockStat/GSSbody/GSSitem/csRange/drop/@codeList) [Optional]</p> <p>(XPath GARStockStat/GSSbody/GSSitem/garmentCategory/artSex/@codeList) [Optional]</p> <p>- nota: <i>this attribute should be ALTERNATIVE to the others</i></p> <p>(XPath GARStockStat/GSSbody/GSSitem/garmentCategory/goodsClassification/class/@codeList) [Optional]</p> <p>(XPath GARStockStat/GSSbody/GSSitem/garmentCode/garmentCodeB/mod/@codeList) [Optional]</p> <p>- nota: <i>this attribute should be ALTERNATIVE to the others</i></p> <p>(XPath GARStockStat/GSSbody/GSSitem/csRange/garmentVariant/variantCode/@codeList) [Optional]</p> <p>- nota: <i>this attribute should be ALTERNATIVE to the others</i></p> <p>(XPath GARStockStat/GSSbody/GSSitem/csRange/sizeMatrix/sizeRow/size/@codeList) [Optional]</p> <p>(XPath GARStockStat/GSSheader/refDoc/season/@codeList) [Optional]</p> <p>(XPath GARStockStat/GSSbody/GSSitem/csRange/sizeMatrix/sizeRow/drop/@codeList) [Optional]</p> <p>(XPath GARStockStat/GSSbody/GSSitem/garmentCode/garmentCodeB/garmentVariant/variantCode/@codeList) [Optional]</p> <p>- nota: <i>this attribute should be ALTERNATIVE to the others</i></p> <p>(XPath GARStockStat/GSSbody/GSSitem/csRange/sizeMatrix/sizeRow/itemsList/qualityLevel/@codeList) [Optional]</p> <p>(XPath GARStockStat/GSSbody/GSSitem/garmentCode/garmentCodeB/garmentVariant/variantType/@codeList) [Optional]</p> <p>- nota: <i>this attribute should be ALTERNATIVE to the others</i></p> <p>(XPath GARStockStat/GSSbody/GSSitem/garmentCode/garmentCodeB/color/@codeList) [Optional]</p> <p>- nota: <i>this attribute could be used as alternative to the others</i></p> <p>(XPath GARStockStat/GSSbody/GSSitem/garmentCode/garmentCodeB/drop/@codeList) [Optional]</p> <p>(XPath GARStockStat/GSSbody/GSSitem/note/@codeList) [Optional]</p> <p>- nota: <i>must be used to provide (URL) the list of codes used in "noteLabel"</i></p> <p>(XPath GARStockStat/GSSbody/GSSitem/garmentCode/garmentCodeB/artGroup/@codeList) [Optional]</p> <p>- nota: <i>this attribute should be ALTERNATIVE to the others</i></p> <p>(XPath GARStockStat/GSSbody/GSSitem/garmentCode/garmentCodeB/size/@codeList) [Optional]</p>
color	<p>colour number of the product, when not included in the model or fabric code</p> <p>- base type: string, max length: 15,</p> <p>(XPath GARStockStat/GSSbody/GSSitem/garmentCode/garmentCodeB/color) 0-1</p> <p>(XPath GARStockStat/GSSbody/GSSitem/csRange/color) 0-1</p> <p>- note: <i>used only if not already specified in the article code</i></p>

commerceText	text usable for the full commercial description of a product - base type: string, max length: 400, (XPath GARStockStat/GSSbody/GSSitem/commerceText) 0-unbounded - note: <i>Only one instance of this element for each different value of 'ln' attribute (language)</i>
country	code of the nation - base type: string, cod. table: T10 http://www.ebiz.enea.it/moda-ml/repository/codelist/draft/gc_T10.xml (XPath GARStockStat/GSSbody/GSSitem/stockAddress/country) 1-1 (XPath GARStockStat/GSOheader/supplier/country) 0-1 (XPath GARStockStat/GSOheader/buyer/country) 0-1
@currency	currency in which a specified monetary data is expressed - base type: string, cod. table: T9 http://www.ebiz.enea.it/moda-ml/repository/codelist/draft/gc_T9.xml (XPath GARStockStat/GSSbody/GSSitem/price/@currency) [Optional] - nota: <i>Currency referred by the price.</i>
@dateForm	format used for the date - base type: string, cod. table: NT29 http://www.ebiz.enea.it/moda-ml/repository/codelist/draft/gc_NT29.xml (XPath GARStockStat/GSSbody/GSSitem/refDoc/docDate/@dateForm) [Optional] (XPath GARStockStat/GSOheader/refDoc/docDate/@dateForm) [Optional] (XPath GARStockStat/GSSbody/GSSitem/readyToSendDate/@dateForm) [Optional] (XPath GARStockStat/GSOheader/msgDate/@dateForm) [Optional]
dept	name or code of a contact department within a Party - base type: string, max length: 40, (XPath GARStockStat/GSOheader/supplier/dept) 0-1 (XPath GARStockStat/GSOheader/buyer/dept) 0-1
description	free text description. The content of the element must be unique, it might be translated and repeated into more languages (thus no more than one instance for each language). - base type: string, max length: 250, (XPath GARStockStat/GSSbody/GSSitem/garmentCode/garmentCodeA/description) 0-unbounded - note: <i>Product description</i> (XPath GARStockStat/GSSbody/GSSitem/garmentCode/garmentCodeB/description) 0-unbounded - note: <i>Product description</i>
docDate	date of issue of the referenced document, according to one of the patterns YYYY-MM-DD, YYYY-MM-DD:HH-MM or YYYY-WW. - base type: string, (XPath GARStockStat/GSSbody/GSSitem/refDoc/docDate) 0-1 (XPath GARStockStat/GSOheader/refDoc/docDate) 0-1
docID	identification number of the referenced document SINCE 2008-1 ITS USE IN THE HEADER IS DISCOURAGED (REPLACED BY msgID) - base type: string, max length: 80, (XPath GARStockStat/GSOheader/refDoc/docID) 1-2 (XPath GARStockStat/GSSbody/GSSitem/refDoc/docID) 1-2
@docType	type or class to which the referenced document belongs - base type: string, cod. table: T21 http://www.ebiz.enea.it/moda-ml/repository/codelist/draft/gc_T21.xml (XPath GARStockStat/GSOheader/refDoc/@docType) [Required] (XPath GARStockStat/GSSbody/GSSitem/refDoc/@docType) [Required]
drop	drop number of the garment - base type: string, max length: 15, (XPath GARStockStat/GSSbody/GSSitem/csRange/sizeMatrix/sizeRow/drop) 0-1 - note: <i>DEPRECATED, anyhow it is used only if not already specified in the article code or csRange</i>

	<p>(XPath GARStockStat/GSSbody/GSSitem/csRange/drop) 0-1 - note: <i>used only if not already specified in the article code</i> (XPath GARStockStat/GSSbody/GSSitem/garmentCode/garmentCodeB/drop) 0-1 - note: <i>Fill this element if the drop is the same for all the sizes of the model. Otherway specify it within the csRange element</i></p>
@email	<p>electronic mail address of the contact person within a Party - base type: string, max length: 250, (XPath GARStockStat/GSOheader/buyer/person/@email) [Optional] (XPath GARStockStat/GSOheader/supplier/person/@email) [Optional]</p>
@encoding	<p>specifies the decoding algorithm of the binary object - base type: normalizedString, (XPath GARStockStat/GSSbody/GSSitem/refDoc/attachment/binaryObject/@encoding) [Optional] (XPath GARStockStat/GSOheader/refDoc/attachment/binaryObject/@encoding) [Optional]</p>
encodingCode	<p>the encoding/decoding algorithm used with the external object - base type: normalizedString, (XPath GARStockStat/GSSbody/GSSitem/refDoc/attachment/externalReference/encodingCode) 0-1 (XPath GARStockStat/GSOheader/refDoc/attachment/externalReference/encodingCode) 0-1</p>
eStockN	<p>offer identifier assigned by the e-stock service provider - base type: string, max length: 15, (XPath GARStockStat/GSSbody/GSSitem/eStockN) 1-1</p>
fabric	<p>fabric number of the garment - base type: string, max length: 15, (XPath GARStockStat/GSSbody/GSSitem/garmentCode/garmentCodeB/fabric) 0-1</p>
@fax	<p>fax number of the contact person within a Party - base type: string, max length: 35, (XPath GARStockStat/GSOheader/supplier/person/@fax) [Optional] (XPath GARStockStat/GSOheader/buyer/person/@fax) [Optional]</p>
fileName	<p>unique identifier (name) of the file - base type: string, max length: 255, (XPath GARStockStat/GSOheader/refDoc/attachment/fileName) 0-1 (XPath GARStockStat/GSSbody/GSSitem/refDoc/attachment/fileName) 0-1</p>
@format	<p>the format of the binary content - base type: string, (XPath GARStockStat/GSOheader/refDoc/attachment/binaryObject/@format) [Optional] (XPath GARStockStat/GSSbody/GSSitem/refDoc/attachment/binaryObject/@format) [Optional]</p>
formatCode	<p>the format of the external object - base type: normalizedString, (XPath GARStockStat/GSOheader/refDoc/attachment/externalReference/formatCode) 0-1 (XPath GARStockStat/GSSbody/GSSitem/refDoc/attachment/externalReference/formatCode) 0-1</p>
id	<p>primary identification code of a Party; it is recommended the format: nation code (ISO 3166) + VAT identification number (11 crt), with the qualifier "numberingOrg"= MF - base type: string, max length: 15, (XPath GARStockStat/GSOheader/supplier/id) 1-1 (XPath GARStockStat/GSOheader/buyer/id) 1-1</p>

@idQualifier	<p>Qualification of the identifier.</p> <ul style="list-style-type: none"> - base type: string, (XPath <code>GARStockStat/GSOheader/supplier/additionalIdentifier/@idQualifier</code>) [Optional] - nota: <i>this attribute should be used when the numberingOrg attribute is not enough to declare the type of identifier</i> (XPath <code>GARStockStat/GSOheader/buyer/additionalIdentifier/@idQualifier</code>) [Optional] - nota: <i>this attribute should be used when the numberingOrg attribute is not enough to declare the type of identifier</i> (XPath <code>GARStockStat/GSSbody/GSSitem/csRange/sizeMatrix/sizeRow/itemsList/itemIdentification/serialN/@idQualifier</code>) [Optional] - nota: <i>this attribute should be used when the numberingOrg attribute is not enough to declare the type of serial identifier</i>
@isURL	<p>it indicates if the referred element is an URL (true) or not (false)</p> <ul style="list-style-type: none"> - base type: boolean, (XPath <code>GARStockStat/GSSbody/GSSitem/refDoc/attachment/externalReference/uri/@isURL</code>) [Optional] [Default= true] - nota: <i>usage of URLs is recommended</i> (XPath <code>GARStockStat/GSOheader/refDoc/attachment/externalReference/uri/@isURL</code>) [Optional] [Default= true] - nota: <i>usage of URLs is recommended</i>
itemID	<p>number of the line/item of the referenced document</p> <ul style="list-style-type: none"> - base type: string, max length: 6, (XPath <code>GARStockStat/GSOheader/refDoc/itemID</code>) 0-1 (XPath <code>GARStockStat/GSSbody/GSSitem/refDoc/itemID</code>) 0-1
legalName	<p>legal name of a Party</p> <ul style="list-style-type: none"> - base type: string, max length: 250, (XPath <code>GARStockStat/GSOheader/supplier/legalName</code>) 0-1 (XPath <code>GARStockStat/GSOheader/buyer/legalName</code>) 0-1
lineID	<p>unique identifier of the line item of the business document; it is set by the role that produces the document.</p> <ul style="list-style-type: none"> - base type: string, max length: 30, (XPath <code>GARStockStat/GSSbody/GSSitem/lineID</code>) 0-1
lineN	<p>number of the line item of the present message (xml document); it is set by the role that produces the document. Usually it is a progressive number, but not always.</p> <ul style="list-style-type: none"> - base type: positiveInteger, min inclusive: 1, max inclusive: 9999, (XPath <code>GARStockStat/GSSbody/GSSitem/lineN</code>) 1-1
@listName	<p>the name of the list of codes used to make an instance of the element (it might be thought as descriptive element, i.e. 'fabric printing technologies', or not, i.e. "T264")</p> <ul style="list-style-type: none"> - base type: string, max length: 40, (XPath <code>GARStockStat/GSSbody/GSSitem/garmentCategory/goodsClassification/macroClass/@listName</code>) [Optional] (XPath <code>GARStockStat/GSSbody/GSSitem/garmentCode/garmentCodeB/fabric/@listName</code>) [Optional] - nota: <i>this attribute should always be used coupled with "numberingOrg"</i> (XPath <code>GARStockStat/GSSbody/GSSitem/garmentCode/garmentCodeB/artGroup/@listName</code>) [Optional] - nota: <i>this attribute should always be used coupled with "numberingOrg"</i> (XPath <code>GARStockStat/GSSbody/GSSitem/garmentCode/garmentCodeB/garmentVariant/variantCode/@listName</code>) [Optional] - nota: <i>this attribute should always be used coupled with "numberingOrg"</i> (XPath <code>GARStockStat/GSSbody/GSSitem/garmentCode/garmentCodeA/art/@listName</code>) [Optional] - nota: <i>this attribute should always be used coupled with "numberingOrg"</i> (XPath <code>GARStockStat/GSSbody/GSSitem/garmentCode/garmentCodeB/mod/@listName</code>) [Optional]

	<p>- nota: <i>this attribute should always be used coupled with “numberingOrg”</i> (XPath GARStockStat/GSSbody/GSSitem/garmentCategory/ goodsClassification/class/@listName) [Optional] (XPath GARStockStat/GSSbody/GSSitem/garmentCode/ garmentCodeB/color/@listName) [Optional]</p> <p>- nota: <i>this attribute should always be used coupled with “numberingOrg”</i> (XPath GARStockStat/GSSbody/GSSitem/garmentCategory/ goodsClassification/subClass/@listName) [Optional] (XPath GARStockStat/GSSbody/GSSitem/garmentCode/ garmentCodeB/garmentVariant/variantType/@listName) [Optional]</p> <p>- nota: <i>this attribute should always be used coupled with “numberingOrg”</i> (XPath GARStockStat/GSSbody/GSSitem/garmentCategory/ artGroup/@listName) [Optional]</p> <p>- nota: <i>this attribute should always be used coupled with “numberingOrg”</i> (XPath GARStockStat/GSSbody/GSSitem/csRange/garmentVariant/variantType/@li stName) [Optional]</p> <p>- nota: <i>this attribute should always be used coupled with “numberingOrg”</i> (XPath GARStockStat/GSSbody/GSSitem/garmentCategory/ artSubGroup/@listName) [Optional]</p> <p>- nota: <i>this attribute should always be used coupled with “numberingOrg”</i> (XPath GARStockStat/GSSbody/GSSitem/csRange/color/@listName) [Optional]</p> <p>- nota: <i>this attribute should always be used coupled with “numberingOrg”</i> (XPath GARStockStat/GSSbody/GSSitem/refDoc/season/@listName) [Optional] (XPath GARStockStat/GSSbody/GSSitem/csRange/sizeMatrix/ sizeRow/itemsList/qualityLevel/@listName) [Optional] (XPath GARStockStat/GSSheader/refDoc/season/@listName) [Optional] (XPath GARStockStat/GSSbody/GSSitem/csRange/garmentVariant/variantCode/@li stName) [Optional]</p> <p>- nota: <i>this attribute should always be used coupled with “numberingOrg”</i> (XPath GARStockStat/GSSbody/GSSitem/csRange/sizeMatrix/ sizeRow/additionalComponentCode/@listName) [Optional] (XPath GARStockStat/GSSbody/GSSitem/garmentCategory/ artSex/@listName) [Optional]</p> <p>- nota: <i>this attribute should always be used coupled with “numberingOrg”</i> (XPath GARStockStat/GSSbody/GSSitem/garmentCategory/ season/@listName) [Optional]</p>
<p>@listVersion</p>	<p>it specifies the version of the list of codes used to make an instance of the element</p> <p>- base type: string, max length: 6, (XPath GARStockStat/GSSbody/GSSitem/garmentCode/ garmentCodeB/mod/@listVersion) [Optional]</p> <p>- nota: <i>this attribute should always be used coupled with “numberingOrg” and “listName”</i> (XPath GARStockStat/GSSbody/GSSitem/csRange/garmentVariant/variantCode/@li stVersion) [Optional]</p> <p>- nota: <i>this attribute should always be used coupled with “numberingOrg” and “listName”</i> (XPath GARStockStat/GSSbody/GSSitem/garmentCode/ garmentCodeB/fabric/@listVersion) [Optional]</p> <p>- nota: <i>this attribute should always be used coupled with “numberingOrg” and “listName”</i> (XPath GARStockStat/GSSbody/GSSitem/refDoc/season/@listVersion) [Optional] (XPath GARStockStat/GSSbody/GSSitem/csRange/garmentVariant/variantType/@li stVersion) [Optional]</p> <p>- nota: <i>this attribute should always be used coupled with “numberingOrg” and “listName”</i> (XPath GARStockStat/GSSbody/GSSitem/garmentCategory/ artSubGroup/@listVersion) [Optional]</p> <p>- nota: <i>this attribute should always be used coupled with “numberingOrg” and “listName”</i></p>

	<p>(XPath GARStockStat/GSSbody/GSSitem/csRange/sizeMatrix/sizeRow/additionalComponentCode/@listVersion) [Optional]</p> <p>(XPath GARStockStat/GSOheader/refDoc/season/@listVersion) [Optional]</p> <p>(XPath GARStockStat/GSSbody/GSSitem/garmentCategory/season/@listVersion) [Optional]</p> <p>(XPath GARStockStat/GSSbody/GSSitem/garmentCode/garmentCodeB/garmentVariant/variantCode/@listVersion) [Optional]</p> <p>- nota: <i>this attribute should always be used coupled with “numberingOrg” and “listName”</i></p> <p>(XPath GARStockStat/GSSbody/GSSitem/garmentCode/garmentCodeB/color/@listVersion) [Optional]</p> <p>- nota: <i>this attribute should always be used coupled with “numberingOrg” and “listName”</i></p> <p>(XPath GARStockStat/GSSbody/GSSitem/csRange/sizeMatrix/sizeRow/itemsList/qualityLevel/@listVersion) [Optional]</p> <p>(XPath GARStockStat/GSSbody/GSSitem/garmentCode/garmentCodeB/garmentVariant/variantType/@listVersion) [Optional]</p> <p>- nota: <i>this attribute should always be used coupled with “numberingOrg” and “listName”</i></p> <p>(XPath GARStockStat/GSSbody/GSSitem/garmentCode/garmentCodeA/art/@listVersion) [Optional]</p> <p>- nota: <i>this attribute should always be used coupled with “numberingOrg” and “listName”</i></p> <p>(XPath GARStockStat/GSSbody/GSSitem/csRange/color/@listVersion) [Optional]</p> <p>- nota: <i>this attribute should always be used coupled with “numberingOrg” and “listName”</i></p> <p>(XPath GARStockStat/GSSbody/GSSitem/garmentCategory/artSex/@listVersion) [Optional]</p> <p>- nota: <i>this attribute should always be used coupled with “numberingOrg” and “listName”</i></p> <p>(XPath GARStockStat/GSSbody/GSSitem/garmentCategory/goodsClassification/subClass/@listVersion) [Optional]</p> <p>(XPath GARStockStat/GSSbody/GSSitem/garmentCode/garmentCodeB/artGroup/@listVersion) [Optional]</p> <p>- nota: <i>this attribute should always be used coupled with “numberingOrg” and “listName”</i></p> <p>(XPath GARStockStat/GSSbody/GSSitem/garmentCategory/goodsClassification/class/@listVersion) [Optional]</p> <p>(XPath GARStockStat/GSSbody/GSSitem/garmentCategory/artGroup/@listVersion) [Optional]</p> <p>- nota: <i>this attribute should always be used coupled with “numberingOrg” and “listName”</i></p> <p>(XPath GARStockStat/GSSbody/GSSitem/garmentCategory/goodsClassification/macroClass/@listVersion) [Optional]</p>
@ln	<p>Language code.</p> <p>- base type: string,</p> <p>(XPath GARStockStat/GSSbody/GSSitem/garmentCode/garmentCodeB/description/@ln) [Optional]</p> <p>(XPath GARStockStat/GSSbody/GSSitem/commerceText/@ln) [Optional]</p> <p>(XPath GARStockStat/GSSbody/GSSitem/garmentCode/garmentCodeA/description/@ln) [Optional]</p>
@logo	<p>company logo (URL of the image jpeg or gif). It is recommended that the width of the image does not exceed 640 pixel.</p> <p>- base type: string, max length: 255,</p> <p>(XPath GARStockStat/GSOheader/buyer/@logo) [Optional]</p> <p>(XPath GARStockStat/GSOheader/supplier/@logo) [Optional]</p>
macroClass	<p>a code indicating the category (macro-class, class or sub-class) of a commodity classification system the article belongs to.</p> <p>- base type: string,</p> <p>(XPath GARStockStat/GSSbody/GSSitem/garmentCategory/goodsClassification/macroClass) 0-1</p>

@mime	<p>the mime type of the binary object</p> <ul style="list-style-type: none"> - base type: normalizedString, (XPath GARStockStat/GSOheader/refDoc/attachment/binaryObject/@mime) [Optional] (XPath GARStockStat/GSSbody/GSSitem/refDoc/attachment/binaryObject/@mime) [Optional]
mimeCode	<p>mime type of the external object</p> <ul style="list-style-type: none"> - base type: normalizedString, (XPath GARStockStat/GSSbody/GSSitem/refDoc/attachment/externalReference/mimeCode) 0-1 (XPath GARStockStat/GSOheader/refDoc/attachment/externalReference/mimeCode) 0-1
mod	<p>model number of the garment</p> <ul style="list-style-type: none"> - base type: string, max length: 15, (XPath GARStockStat/GSSbody/GSSitem/garmentCode/garmentCodeB/mod) 1-1
msgDate	<p>date of issue of the present message (xml document), according to one of the patterns YYYY-MM-DD, YYYY-MM-DD:HH-MM or YYYY-WW.</p> <ul style="list-style-type: none"> - base type: string, (XPath GARStockStat/GSOheader/msgDate) 1-1
@msgfunction	<p>function performed by the present message with regards to the transmission</p> <ul style="list-style-type: none"> - base type: string, cod. table: NT18 http://www.ebiz.enea.it/moda-ml/repository/codelist/draft/gc_NT18.xml (XPath GARStockStat/@msgfunction) [Optional] [Default= OR]
msgID	<p>key identifier of the business document in the information system of the issuing Party. In case of more despatches of the same business document, it is unchanged.</p> <ul style="list-style-type: none"> - base type: string, max length: 35, (XPath GARStockStat/GSOheader/msgID) 0-1
msgN	<p>identification number given to the message (xml document) by its issuer. In case of more despatches of the same business document, it changes.</p> <ul style="list-style-type: none"> - base type: string, max length: 35, (XPath GARStockStat/GSOheader/msgN) 1-1
note	<p>free text or structured (computer processing) note. For note structuring use the attributes "noteLabel" and "codelist"</p> <ul style="list-style-type: none"> - base type: string, max length: 350, (XPath GARStockStat/GSSbody/GSSitem/note) 0-99 - note: <i>here the offer status reason can be described</i> (XPath GARStockStat/GSSbody/GSSitem/garmentCategory/note) 0-99
@noteLabel	<p>subject qualifier of a note</p> <ul style="list-style-type: none"> - base type: string, max length: 35, (XPath GARStockStat/GSSbody/GSSitem/garmentCategory/note/@noteLabel) [Optional] - nota: <i>must be used to qualify the subject of the note</i> (XPath GARStockStat/GSSbody/GSSitem/note/@noteLabel) [Optional] - nota: <i>must be used to qualify the subject of the note</i>
@numberingOrg	<p>code specifying the organisation who has created or owns the coding or numbering system</p> <ul style="list-style-type: none"> - base type: string, cod. table: NT6 http://www.ebiz.enea.it/moda-ml/repository/codelist/draft/gc_NT6.xml (XPath GARStockStat/GSSbody/GSSitem/garmentCode/garmentCodeB/added/@numberingOrg) [Optional] (XPath GARStockStat/GSSbody/GSSitem/note/@numberingOrg) [Optional] (XPath GARStockStat/GSSbody/GSSitem/csRange/garmentVariant/variantCode/@numberingOrg) [Optional] - nota: <i>this attribute should be used either single or coupled with "listName" and "listVersion"</i>

(XPath GARStockStat/GSSbody/GSSitem/garmentCode/garmentCodeA/art/@numberingOrg) [Optional]
- nota: *this attribute should be used either single or coupled with "listName" and "listVersion"*

(XPath GARStockStat/GSSbody/GSSitem/csRange/garmentVariant/variantType/@numberingOrg) [Optional]
- nota: *this attribute should be used either single or coupled with "listName" and "listVersion"*

(XPath GARStockStat/GSSbody/GSSitem/csRange/color/@numberingOrg) [Optional]
- nota: *this attribute should be used either single or coupled with "listName" and "listVersion"*

(XPath GARStockStat/GSSbody/GSSitem/csRange/sizeMatrix/sizeRow/additionalComponentCode/@numberingOrg) [Optional]
(XPath GARStockStat/GSSbody/GSSitem/csRange/sizeMatrix/sizeRow/itemsList/itemIdentification/serialN/@numberingOrg) [Optional]
- nota: *here the issuer of the serial number must be specified (when different from the Supplier)*

(XPath GARStockStat/GSSbody/GSSitem/stockAddress/@numberingOrg) [Optional]
- nota: *to be use when city and sub-country are specified with a proprietary code*

(XPath GARStockStat/GSSbody/GSSitem/csRange/@numberingOrg) [Optional]
(XPath GARStockStat/GSSbody/GSSitem/csRange/sizeMatrix/sizeRow/itemsList/qualityLevel/@numberingOrg) [Optional]
(XPath GARStockStat/GSSbody/GSSitem/garmentCategory/artGroup/@numberingOrg) [Optional]
- nota: *this attribute should be used either single or coupled with "listName" and "listVersion"*

(XPath GARStockStat/GSSbody/GSSitem/garmentCategory/artSubGroup/@numberingOrg) [Optional]
- nota: *this attribute should be used either single or coupled with "listName" and "listVersion"*

(XPath GARStockStat/GSSbody/GSSitem/refDoc/attachment/fileName/@numberingOrg) [Optional]
(XPath GARStockStat/GSSbody/GSSitem/garmentCategory/@numberingOrg) [Optional]
(XPath GARStockStat/GSSbody/GSSitem/garmentCategory/goodsClassification/macroClass/@numberingOrg) [Optional]
(XPath GARStockStat/GSSbody/GSSitem/garmentCategory/goodsClassification/class/@numberingOrg) [Optional]
(XPath GARStockStat/GSSbody/GSSitem/garmentCategory/artSex/@numberingOrg) [Optional]
- nota: *this attribute should be used either single or coupled with "listName" and "listVersion"*

(XPath GARStockStat/GSSbody/GSSitem/garmentCategory/season/@numberingOrg) [Optional]
(XPath GARStockStat/GSSbody/GSSitem/refDoc/season/@numberingOrg) [Optional]
(XPath GARStockStat/GSOheader/supplier/additionalIdentifier/@numberingOrg) [Optional]
- nota: *here the issuer of the identifier must be specified*

(XPath GARStockStat/GSOheader/buyer/id/@numberingOrg) [Optional]
(XPath GARStockStat/GSOheader/refDoc/attachment/fileName/@numberingOrg) [Optional]
(XPath GARStockStat/GSOheader/supplier/id/@numberingOrg) [Optional]
(XPath GARStockStat/GSSbody/GSSitem/refDoc/docID/@numberingOrg) [Optional]
- nota: *here can be specified whose document numbering is used (e.g.: Client, Supplier, ..)*

(XPath GARStockStat/GSOheader/refDoc/season/@numberingOrg) [Optional]
(XPath GARStockStat/GSOheader/buyer/additionalIdentifier/@numberingOrg) [Optional]
- nota: *here the issuer of the identifier must be specified*

(XPath GARStockStat/GSSbody/GSSitem/eStockN/@numberingOrg) [Optional]

	<p>(XPath GARStockStat/GSSbody/GSSitem/garmentCode/garmentCodeB/mod/@numberingOrg) [Optional]</p> <p>- nota: <i>this attribute should be ALTERNATIVE to the others</i></p> <p>(XPath GARStockStat/GSSbody/GSSitem/garmentCode/garmentCodeB/fabric/@numberingOrg) [Optional]</p> <p>- nota: <i>this attribute should be used either single or coupled with "listName" and "listVersion"</i></p> <p>(XPath GARStockStat/GSSbody/GSSitem/garmentCode/garmentCodeB/color/@numberingOrg) [Optional]</p> <p>- nota: <i>this attribute should be used either single or coupled with "listName" and "listVersion"</i></p> <p>(XPath GARStockStat/GSSbody/GSSitem/garmentCategory/note/@numberingOrg) [Optional]</p> <p>(XPath GARStockStat/GSSbody/GSSitem/garmentCode/@numberingOrg) [Optional]</p> <p>(XPath GARStockStat/GSSbody/GSSitem/garmentCode/garmentCodeB/@numberingOrg) [Optional]</p> <p>(XPath GARStockStat/GSSbody/GSSitem/garmentCode/garmentCodeB/garmentVariant/variantType/@numberingOrg) [Optional]</p> <p>- nota: <i>this attribute should be used either single or coupled with "listName" and "listVersion"</i></p> <p>(XPath GARStockStat/GSSbody/GSSitem/garmentCode/garmentCodeB/garmentVariant/variantCode/@numberingOrg) [Optional]</p> <p>- nota: <i>this attribute should be used either single or coupled with "listName" and "listVersion"</i></p> <p>(XPath GARStockStat/GSSbody/GSSitem/garmentCode/garmentCodeB/artGroup/@numberingOrg) [Optional]</p> <p>- nota: <i>this attribute should be used either single or coupled with "listName" and "listVersion"</i></p> <p>(XPath GARStockStat/GSOheader/refDoc/docID/@numberingOrg) [Optional]</p> <p>- nota: <i>here can be specified whose document numbering is used (e.g.: Client, Supplier, ..)</i></p> <p>(XPath GARStockStat/GSSbody/GSSitem/garmentCategory/goodsClassification/subClass/@numberingOrg) [Optional]</p>
@offerStat	<p>status of the offer in the e-stock</p> <p>- base type: string, cod. table: NT35</p> <p>http://www.ebiz.enea.it/moda-ml/repository/codelist/draft/gc_NT35.xml</p> <p>(XPath GARStockStat/GSSbody/GSSitem/@offerStat) [Required]</p>
@offerStatReason	<p>status reason of the offer in the e-stock</p> <p>- base type: string, cod. table: NT36</p> <p>http://www.ebiz.enea.it/moda-ml/repository/codelist/draft/gc_NT36.xml</p> <p>(XPath GARStockStat/GSSbody/GSSitem/@offerStatReason) [Optional]</p>
person	<p>name of the contact person within a Party</p> <p>- base type: string, max length: 40,</p> <p>(XPath GARStockStat/GSOheader/buyer/person) 0-1</p> <p>(XPath GARStockStat/GSOheader/supplier/person) 0-1</p>
@phone	<p>phone number of the contact person within a Party</p> <p>- base type: string, max length: 35,</p> <p>(XPath GARStockStat/GSOheader/buyer/person/@phone) [Optional]</p> <p>(XPath GARStockStat/GSOheader/supplier/person/@phone) [Optional]</p>
postCode	<p>code defining the postal zone</p> <p>- base type: string, max length: 10,</p> <p>(XPath GARStockStat/GSOheader/buyer/postCode) 0-1</p> <p>(XPath GARStockStat/GSOheader/supplier/postCode) 0-1</p>
price	<p>unit price of the article, object or service specified</p> <p>- base type: decimal, min inclusive: 0, fraction digits: 4,</p> <p>(XPath GARStockStat/GSSbody/GSSitem/price) 0-1</p>
@priceQualifier	<p>type of price with reference to discount and taxes</p> <p>- base type: string, cod. table: NT20</p> <p>http://www.ebiz.enea.it/moda-ml/repository/codelist/draft/gc_NT20.xml</p>

	(XPath GARStockStat/GSSbody/GSSitem/price/@priceQualifier) [Optional] [Default=NET]
qty	net quantity of the article or object correlated, qualified by the function of the document (ordering, delivering, ..) and by the context - base type: decimal, min inclusive: 0, fraction digits: 2, (XPath GARStockStat/GSSbody/GSSitem/qty) 0-1 (XPath GARStockStat/GSSbody/GSSitem/csRange/sizeMatrix/sizeRow/qty) 0-1
qualityLevel	the product quality level (first choice, second choice,...). - base type: string, (XPath GARStockStat/GSSbody/GSSitem/csRange/sizeMatrix/sizeRow/itemsList/qualityLevel) 0-1
readyToSendDate	date of goods ready to despatch, according to one of the patterns YYYY-MM-DD, YYYY-MM-DD:HH-MM or YYYY-WW. - base type: string, (XPath GARStockStat/GSSbody/GSSitem/readyToSendDate) 0-1
season	sale season; defined as: season (1 crt) + year (4 crt) - season: S/S=1 A/W=2 Spring=3 Summer=4 Autumn=5 Winter=6: for more than four seasons use alphabetic sequence: 1st season=A 2nd season=B etc.etc. - base type: string, max length: 15, (XPath GARStockStat/GSSbody/GSSitem/garmentCategory/season) 0-1 (XPath GARStockStat/GSOheader/refDoc/season) 0-1 - note: <i>here indicates the season to which the referenced document belongs</i> (XPath GARStockStat/GSSbody/GSSitem/refDoc/season) 0-1 - note: <i>here indicates the season to which the referenced document belongs</i>
@sender	qualifier that specifies the Party issuing of the document - base type: boolean, (XPath GARStockStat/GSOheader/supplier/@sender) [Optional] - nota: <i>This attribute is mandatory when the STYLESHEET must be used</i> (XPath GARStockStat/GSOheader/buyer/@sender) [Optional] - nota: <i>This attribute is mandatory when the STYLESHEET must be used</i>
serialN	serial number used for the identification of a physical unit - base type: string, max length: 250, (XPath GARStockStat/GSSbody/GSSitem/csRange/sizeMatrix/sizeRow/itemsList/itemIdentification/serialN) 1-9 <hr/> AAAA-WARNING! - text not AVAILABLE n. 245 - In=en - note: <i>multiple values of serialN are allowed for different representations of the serial identifier of the same product unit. Instances of serialN must differ at least for one value of numberingOrg and idQualifier.</i>
size	size number of a fashion product (knitwear, clothing, ..) - base type: string, max length: 15, (XPath GARStockStat/GSSbody/GSSitem/garmentCode/garmentCodeB/size) 0-1 (XPath GARStockStat/GSSbody/GSSitem/csRange/sizeMatrix/sizeRow/size) 1-1
@sizeSystemBase	base of the size system - base type: string, cod. table: T423 http://www.ebiz.enea.it/moda-ml/repository/codelist/draft/gc_T423.xml (XPath GARStockStat/GSSbody/GSSitem/csRange/@sizeSystemBase) [Optional]
@sizeSystemID	the identifier of the size system. - base type: string, (XPath GARStockStat/GSSbody/GSSitem/csRange/@sizeSystemID) [Optional]
@sizeSystemNat	nation or agency identifying the size system - base type: string, cod. table: T421 http://www.ebiz.enea.it/moda-ml/repository/codelist/draft/gc_T421.xml (XPath GARStockStat/GSSbody/GSSitem/csRange/@sizeSystemNat) [Optional]

@sizeSystemSeg	market segment identifying the size system - base type: string, cod. table: T422 http://www.ebiz.enea.it/moda-ml/repository/codelist/draft/gc_T422.xml (XPath GARStockStat/GSSbody/GSSitem/csRange/@sizeSystemSeg) [Optional]
street	street and building number identifying a location - base type: string, max length: 80, (XPath GARStockStat/GSOheader/supplier/street) 0-1 (XPath GARStockStat/GSOheader/buyer/street) 0-1
subClass	a code indicating the category (macro-class, class or sub-class) of a commodity classification system the article belongs to. - base type: string, (XPath GARStockStat/GSSbody/GSSitem/garmentCategory/goodsClassification/subClass) 0-1
subCountry	short name or code of the sub-country entity - base type: string, max length: 9, (XPath GARStockStat/GSSbody/GSSitem/stockAddress/subCountry) 1-1 (XPath GARStockStat/GSOheader/supplier/subCountry) 0-1 (XPath GARStockStat/GSOheader/buyer/subCountry) 0-1
subDept	name or code of a contact department within a Party - base type: string, max length: 40, (XPath GARStockStat/GSOheader/supplier/subDept) 0-1 (XPath GARStockStat/GSOheader/buyer/subDept) 0-1
tradeMark	name of the official trademark of a specified product (DEPRECATED, use Brand or Product Line). - base type: string, max length: 50, (XPath GARStockStat/GSSbody/GSSitem/tradeMark) 0-1
@uid	unique element identifier within the xml document - base type: string, (XPath GARStockStat/GSSbody/GSSitem/refDoc/attachment/@uid) [Optional] (XPath GARStockStat/GSOheader/refDoc/attachment/@uid) [Optional]
@um	specification of the unit of measure - base type: string, cod. table: NT7 http://www.ebiz.enea.it/moda-ml/repository/codelist/draft/gc_NT7.xml (XPath GARStockStat/GSSbody/GSSitem/qty/@um) [Required] (XPath GARStockStat/GSSbody/GSSitem/csRange/sizeMatrix/sizeRow/qty/@um) [Required] (XPath GARStockStat/GSSbody/GSSitem/price/@um) [Optional] - nota: <i>Unit of measure of the product to which the price is referred (price per meter)</i>
uri	Uniform Resource Identifier (URI) that identifies the external object as an Internet resource - base type: normalizedString, (XPath GARStockStat/GSOheader/refDoc/attachment/externalReference/uri) 1-1 (XPath GARStockStat/GSSbody/GSSitem/refDoc/attachment/externalReference/uri) 1-1
@useProfile	use profile to which the present document is compliant if it was agreed by the parties. It is suggested a URI with reference to the firms or the URL of the profile. - base type: string, (XPath GARStockStat/@useProfile) [Optional]
variantCode	Code of variant used for fashion product. - base type: string, (XPath GARStockStat/GSSbody/GSSitem/csRange/garmentVariant/variantCode) 1-1

	(XPath GARStockStat/GSSbody/GSSitem/garmentCode/garmentCodeB/garmentVariant/variantCode) 1-1
variantType	Type of variant used for fashion product (examples: 'treatment', 'washing type', 'size class',...) - base type: string, (XPath GARStockStat/GSSbody/GSSitem/garmentCode/garmentCodeB/garmentVariant/variantType) 1-1 (XPath GARStockStat/GSSbody/GSSitem/csRange/garmentVariant/variantType) 1-1
@VAT	VAT rate or code (DEPRECATED, use dtScheme element) - base type: string, cod. table: NT16 http://www.ebiz.enea.it/moda-ml/repository/codelist/draft/gc_NT16.xml (XPath GARStockStat/GSSbody/GSSitem/lineN/@VAT) [Optional] - nota: <i>Deprecated, prefer dtScheme when available.</i>
@version	Dictionary version from which the instance has been created - base type: string, cod. table: NT100 http://www.ebiz.enea.it/moda-ml/repository/codelist/draft/gc_NT100.xml (XPath GARStockStat/@version) [Optional] [Default= draft]

2.3 Suggested best practices

GARStockStat/GSSbody/GSSitem/csRange/sizeMatrix/

sizeRow/itemsList/itemIdentification/serialN (serial number used for the identification of a physical unit)

in the case of garment with RFID for anti-counterfeiting, RFID EPCGlobal for logistics and NFC for the customer experience there should be three serial elements with pairs of attributes numberingOrg/idQualifier: "CL"/"RFID", "GS1"/"RFID", "CL"/"NFC".

2.4 Enumeration tables

List of enumeration tables used in the XML document. You can find the corresponding codes at:
<http://www.ebiz-tcf.eu/moda-ml/imple/moda-ml-draft.asp?lingua=en&pag=6>

NT100 - eBIZ TCFUpstream version
NT16 - VAT rate or code
NT18 - message function
NT20 - price qualifier
NT29 - format of a date
NT35 - stock offer status
NT36 - stock offer status reason
NT6 - coding system owner/issuer
NT7 - unit of measure
T10 - ISO3166 - Country
T21 - type of document
T421 - size system: nationality
T422 - size system: market segment
T423 - size system: base
T44 - additional code type
T9 - ISO4217 - Currency

ACKNOWLEDGEMENT



This action is part of the eBIZ-4.0 project, which has received funding from the European Union's COSME Programme (2014 - 2020).

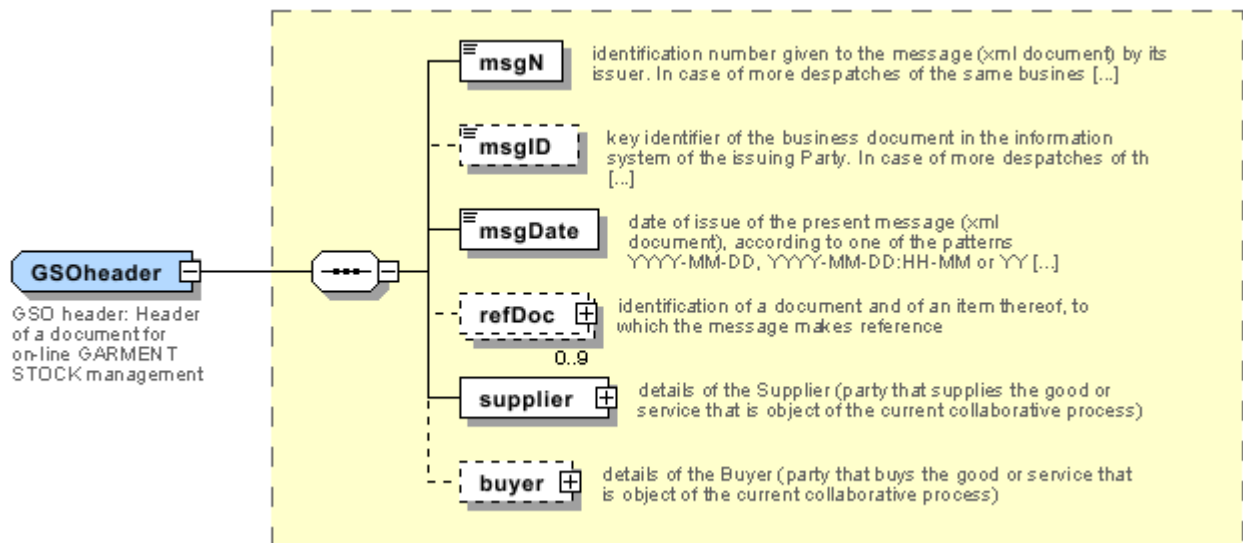
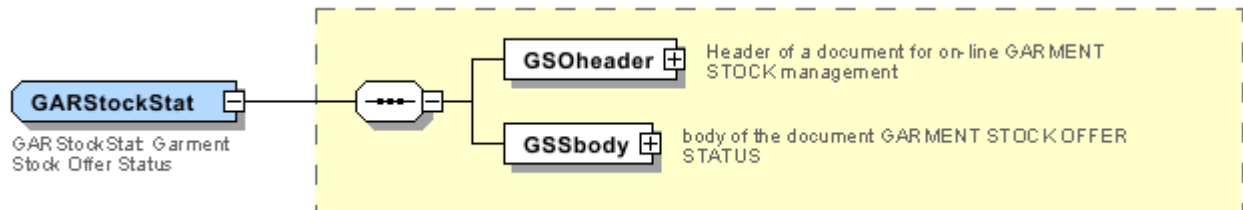
DISCLAIMER

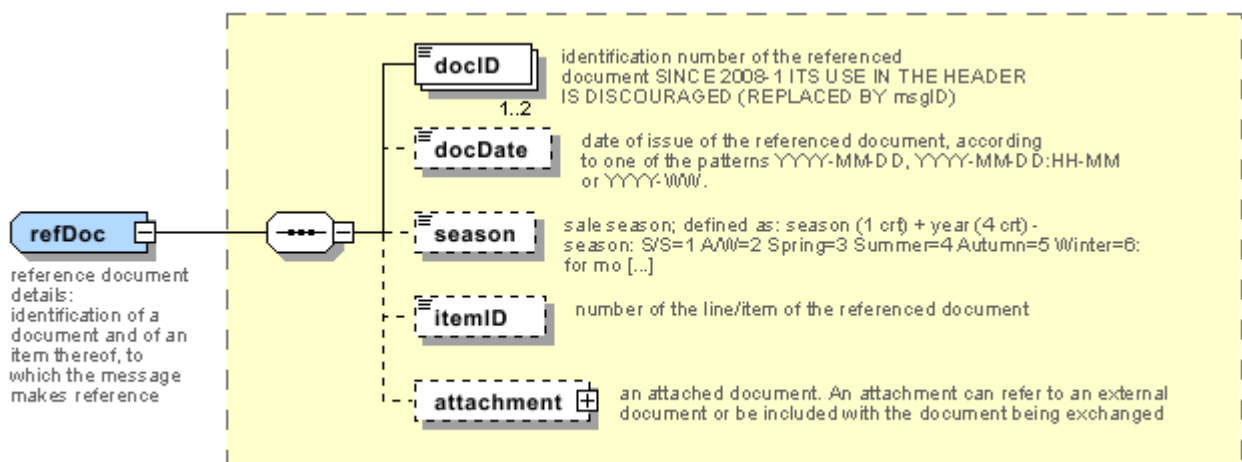
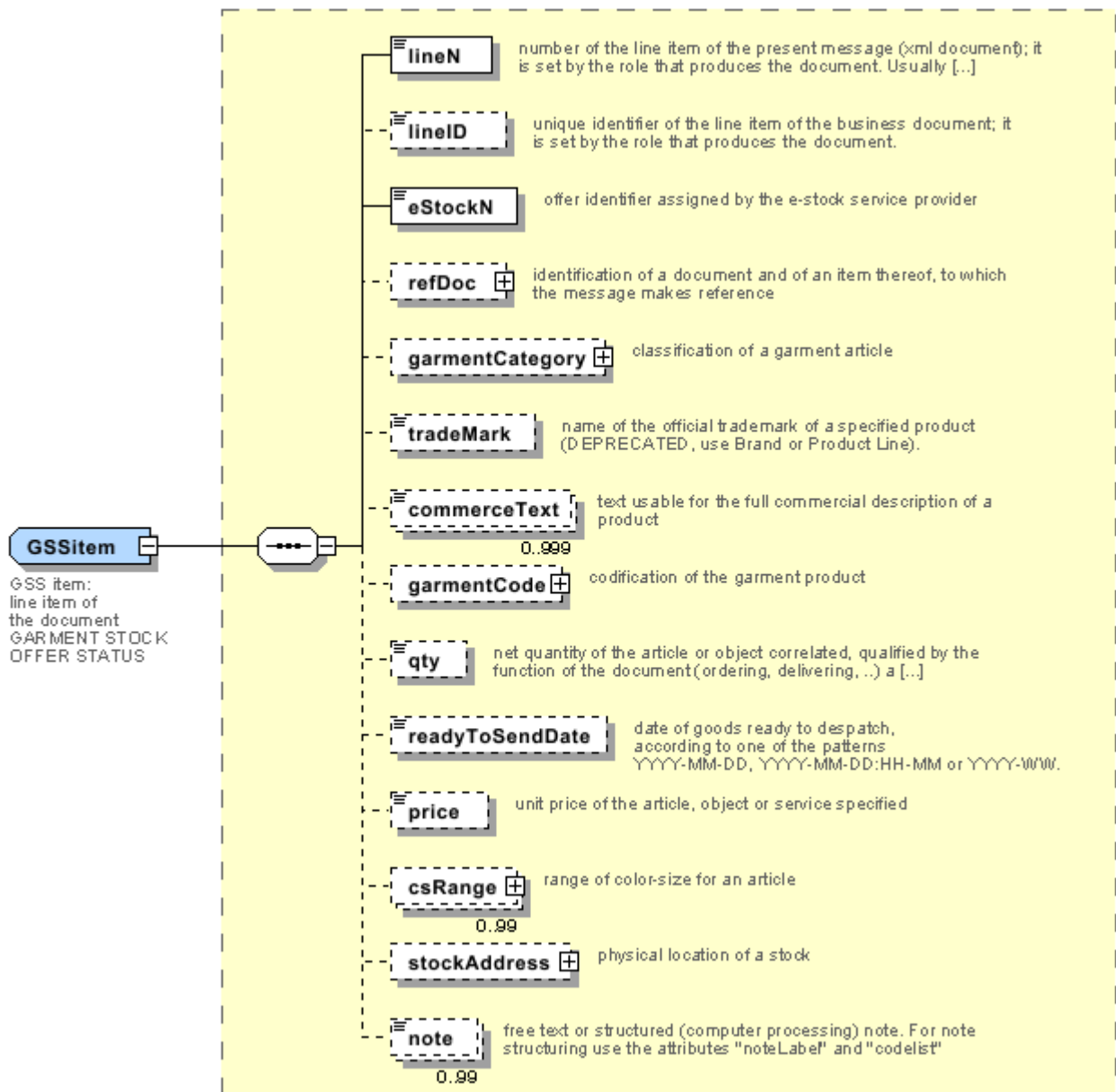
The content of this document represents the views of the authors only and is their sole responsibility; it cannot be considered to reflect the views of the European Commission and/or the Executive Agency for Small and Medium-sized Enterprises (EASME) or any other body of the European Union.

The European Commission and the Agency do not accept any responsibility for use that may be made of the information it contains.

Annex A

Representative images of the principal complex elements' structure.





Annex B

NT100 - eBIZ TCFUpstream version

dictionary version

Agency name: eBIZ

tabella cod.: NT100

File codes list (Generic code): http://www.ebiz.enea.it/moda-ml/repository/codelist/draft/gc_NT100.xml

Code	Description	Adoption note	Date of insertion
2013-1	v2013-1		01/07/2013
2018-1	v2018-1		04/11/2018
draft	draft		08/09/2017

NT16 - VAT rate or code

VAT rate or code (DEPRECATED, use dtScheme element)

tabella cod.: NT16

File codes list (Generic code): http://www.ebiz.enea.it/moda-ml/repository/codelist/draft/gc_NT16.xml

NT18 - message function

function performed by the present message with regards to the transmission

Agency name: eBIZ

tabella cod.: NT18

File codes list (Generic code): http://www.ebiz.enea.it/moda-ml/repository/codelist/draft/gc_NT18.xml

Code	Description	Adoption note	Date of insertion
CA	delete this document		01/07/2013
CP	copy		
OR	original		
RC	re-transmission for data correction		
RT	re-transmission		

NT20 - price qualifier

type of price with reference to discount and taxes

Agency name: eBIZ

tabella cod.: NT20

File codes list (Generic code): http://www.ebiz.enea.it/moda-ml/repository/codelist/draft/gc_NT20.xml

Code	Description	Adoption note	Date of insertion
GET	gross excluding taxes		
GIT	gross including taxes		
NET	net excluding taxes		
NIT	net including taxes		

NT29 - format of a date

format used for the date

Agency name: eBIZ

tabella cod.: NT29

File codes list (Generic code): http://www.ebiz.enea.it/moda-ml/repository/codelist/draft/gc_NT29.xml

Code	Description	Adoption note	Date of insertion
D	YYYY-MM-DD		
M	YYYY-MM-DD:HH-MM		
W	YYYY-WW		

NT35 - stock offer status

status of the offer in the e-stock

Agency name: eBIZ

tabella cod.: NT35

File codes list (Generic code): http://www.ebiz.enea.it/moda-ml/repository/codelist/draft/gc_NT35.xml

Code	Description	Adoption note	Date of insertion
IN	loaded		
NO	not loaded		
PR	on sale		
RT	withdrawn from sale		
SC	expired		
TC	dealing terminated		

TR	dealing		
VE	sold		
WA	loaded with warning		

NT36 - stock offer status reason

status reason of the offer in the e-stock

Agency name: eBIZ

tabella cod.: NT36

File codes list (Generic code): http://www.ebiz.enea.it/moda-ml/repository/codelist/draft/gc_NT36.xml

Code	Description	Adoption note	Date of insertion
UC	unsufficient credit		
UL	unrecognised location		
US	unrecognised size system		
UU	user not permitted		

NT6 - coding system owner/issuer

code specifying the organisation who has created or owns the coding or numbering system

Agency name: eBIZ

tabella cod.: NT6

File codes list (Generic code): http://www.ebiz.enea.it/moda-ml/repository/codelist/draft/gc_NT6.xml

Code	Description	Adoption note	Date of insertion
CL	Customer/buyer		
CO	Quality Controller		
EN	GS1 (ex-EAN International)		
ES	e-Stockflow		
FO	Supplier		
GS	GS1		01/07/2013
MF	VAT identifier		
ML	Moda-ML		
SP	Service Provider		

NT7 - unit of measure

specification of the unit of measure, it is a sub set of table Unit of Measure Code - UN/ECE REC 20 delivered by United Nations Economic Commission for Europe (UN/ECE)

Agency name: eBIZ / UN/ECE

tabella cod.: NT7

File codes list (Generic code): http://www.ebiz.enea.it/moda-ml/repository/codelist/draft/gc_NT7.xml

Other link: <http://docs.oasis-open.org/ubl/os-UBL-2.1/cl/gc/default/UnitOfMeasureCode-2.1.gc#>

Code	Description	Adoption note	Date of insertion
CMK	square centimetre		20/12/2017
CMQ	cubic centimetre		20/12/2017
CMT	centimetre		
CNE	centiNewton		
CO2TON	ton of CO2		10/09/2014
COUPLES	couples		
DMQ	cubic decimetre		
E37	pixel		11/04/2018
GRM	gram		
HUR	hour		
INH	inch		
KGM	kilogram		
KMT	kilometer		
KWH	kilowatthours		10/09/2014
LBR	pound		
MIN	minute		
MMK	centimetre		20/12/2017
MMK	square millimetre		20/12/2017
MTK	square metre		20/12/2017
MTQ	cubic metre		
MTR	metre		
NMB	numero		
ONZ	ounce		
P1	percent		
PPM	parts per milion		
PZ	piece		
RPM	rounds per metre		

YRD	yard		
-----	------	--	--

T10 - ISO3166 - Country

code of the nation

Agency name: ISO

tabella cod.: T10

File codes list (Generic code): http://www.ebiz.enea.it/moda-ml/repository/codelist/draft/gc_T10.xml

Table not printed: there are 239 elements, more than the maximum specified for printing: 99.

T21 - type of document

type or class to which the referenced document belongs

Agency name: eBIZ

tabella cod.: T21

File codes list (Generic code): http://www.ebiz.enea.it/moda-ml/repository/codelist/draft/gc_T21.xml

Code	Description	Adoption note	Date of insertion
BOR	blanket order		01/02/2018
CAT	Price catalogue - tech sheet		
CEO	Certificate of origin		13/04/2018
CER	Certificate		13/04/2018
COC	colour card		
CRN	Credit note		08/09/2017
CTO	Checking order		01/07/2013
CTR	Contract		
CXF	CxF3 file		01/07/2013
DAD	Darn order		
DDT	ddt		
DEA	Despatch advise		
DER	Despatch request		
DR	Document Request		02/12/2014
FOR	Forecast		02/12/2014
GSO	Garment stock offer		
GSX	Garment stock offer change		

INV	Invoice		
KCC	Knitting-Clothing Commission Order		02/12/2014
KCI	Garment in Work Inventory Report		02/12/2014
M2M	Made to Measure Production Order		02/12/2014
MAS	Master marker		
MCI	Visual merchandising instruction		13/04/2018
OCH	Order change		
OFF	Offer		
ORD	Purchase order		
ORP	Order response		
OSR	order status request		
OSS	Offer status		02/12/2014
OST	Order status		
OUR	our reference		
QR	Quality Report		02/12/2014
RAI	Raw Material in Work Inventory Report		02/12/2014
RDC	Raw dyeing commission order		
RDH	Raw dyeing order change		
RDR	Raw dyeing order response		
REA	Receiving advise		
REQ	Request for Offer		
RET	Return		02/12/2014
RSC	Spinning commission order		
RSH	Spinning order change		
RSR	Spinning order response		
SCL	process sheet		
TFC	Textile dyeing-finishing commission order		
TFX	Textile Dyeing-Finishing Order Change		02/12/2014
TPC	Textile printing commission order		
TPX	Textile Printing Order Change		02/12/2014
TWI	Textile in work inventory		
VMI	visual merchandising instructions		01/02/2018
WAC	Warping commission order		
WEC	Weaving commission order		
YDC	Yarn dyeing commission order		

YDH	Yarn dyeing order change		
YDR	Yarn dyeing order response		
YTC	Twisting commission order		
YWI	Yarn in work inventory		

T421 - size system: nationality

nation or agency identifying the size system

Agency name: eBIZ

tabella cod.: T421

File codes list (Generic code): http://www.ebiz.enea.it/moda-ml/repository/codelist/draft/gc_T421.xml

Code	Description	Adoption note	Date of insertion
DE	Germany		
ES	Spain		
EU	Europe		
FR	France		
IT	Italy		
UK	United Kingdom		
US	USA		
XX	International		

T422 - size system: market segment

market segment identifying the size system

Agency name: eBIZ

tabella cod.: T422

File codes list (Generic code): http://www.ebiz.enea.it/moda-ml/repository/codelist/draft/gc_T422.xml

Code	Description	Adoption note	Date of insertion
B	baby		
C	child		
K	kid		
M	man		
U	unisex		
W	woman		

T423 - size system: base

base of the size system

Agency name: eBIZ

tabella cod.: T423

File codes list (Generic code): http://www.ebiz.enea.it/moda-ml/repository/codelist/draft/gc_T423.xml

Code	Description	Adoption note	Date of insertion
1	arab numbers		
2	latin numbers		
3	symbols		
4	letters		
H	height		
L	length		
U	unic		
W	weight		

T44 - additional code type

qualifier of the additional coding of a product

Agency name: eBIZ

tabella cod.: T44

File codes list (Generic code): http://www.ebiz.enea.it/moda-ml/repository/codelist/draft/gc_T44.xml

Code	Description	Adoption note	Date of insertion
CC	colour card		
CL	sales collection		
CO	company identification code		08/09/2017
DY	dye number		
LT	lot number		
MDI	Made in		08/09/2017
MS	manufacturing state		
PKG	packaging		09/09/2014
PL	product line		
RGB	RGB value		

SE	selvedge code		
----	---------------	--	--

T9 - ISO4217 - Currency

currency code

Agency name: ISO

tabella cod.: T9

File codes list (Generic code): http://www.ebiz.enea.it/moda-ml/repository/codelist/draft/gc_T9.xml

Table not printed: there are 205 elements, more than the maximum specified for printing: 99.